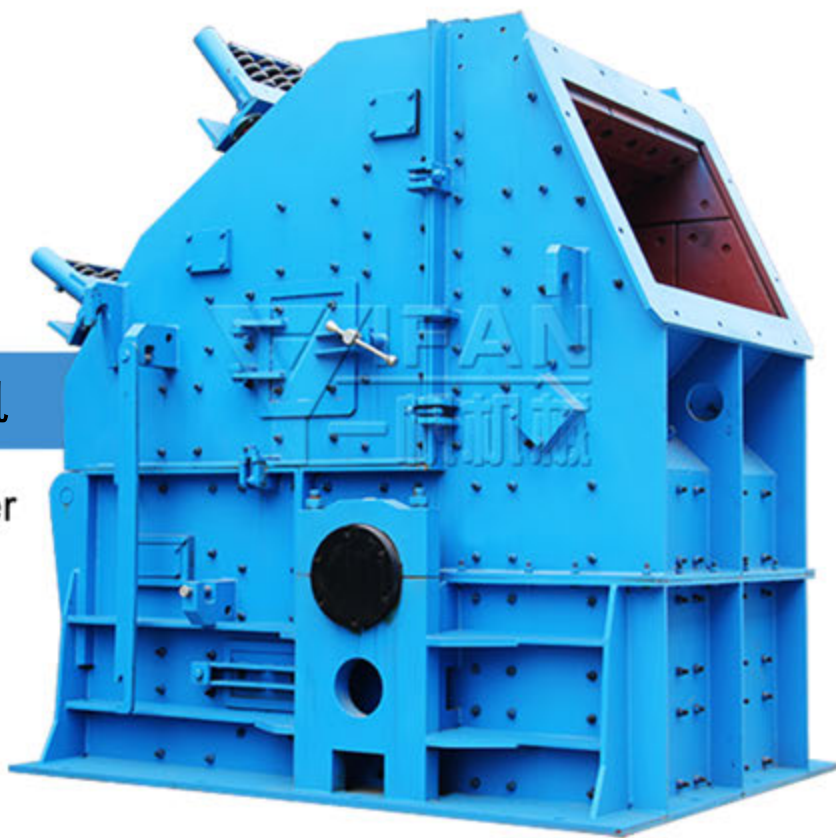


YIFAN



CH 系列反击式破碎机

CH Series Impact Crusher

Leading crushing and screening equipment manufacturer in China

中国领先的破碎筛分设备制造商

郑州一帆机械设备有限公司(由山德技术(北京)有限公司控股),是中国知名的破碎筛分设备制造商。我们为客户提供全系列破碎筛分设备,包括 液压圆锥破碎机、颚式破碎机、反击式破碎机、立式冲击破碎机(制砂机)、移动式破碎站和振动筛,我们不仅为客户提供高性价比的产品,还提供一流的服务支持及解决方案。



YIFAN

郑州一帆机械设备有限公司

ZHENGZHOU YIFAN MACHINERY CO.,LTD

服务热线: 400-665-6688 0371-64627000 64989888

网址: www.yfmac.com

地址: 中国郑州荥阳开发区郑源路

CH系列反击式破碎机

CH Series Impact Crusher

CH系列反击式破碎机是在吸收国外先进技术，并结合国内实际情况进行优化设计，整体结构简单实用且不失合理，更加人性化，同时腔型更大、更优，在同等条件下，提高了生产效率。

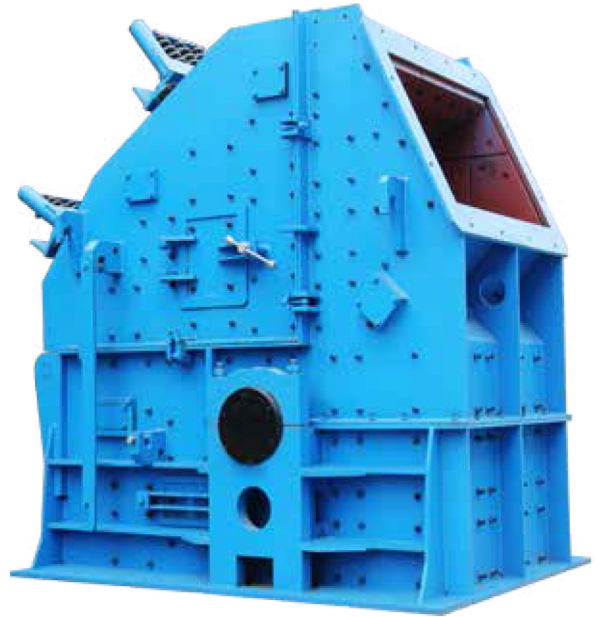
CH系列反击式破碎机广泛用于破碎各种软、中硬矿石，能够在初级破碎和二级破碎中进行粗碎、中碎、细碎。主要用于矿山、建筑、化工、水泥、冶金等行业。

CHP反击破主要用于粗碎，具有进料粒度大，通过量高等特点。CHS反击破主要用于二级破碎，具有产品粒度小，粒形好等特点。

CH Series Impact Crusher is built on advanced technology with a combination of domestic applications. More human-oriented with simple design and reasonable structure, bigger and better cavity, higher capacity.

CH Series Impact Crusher can crush kinds of soft and medium-hard ore, for coarse, medium and fine crushing, in primary and secondary crushing process. The series can be widely used in mining, construction, chemistry, cement.

CHP series impact crusher is mainly used in primary crushing and it has features of big input size and high capacity and etc. CHS impact crusher is mainly used in secondary crushing and it has features of small product size and good shape and etc.



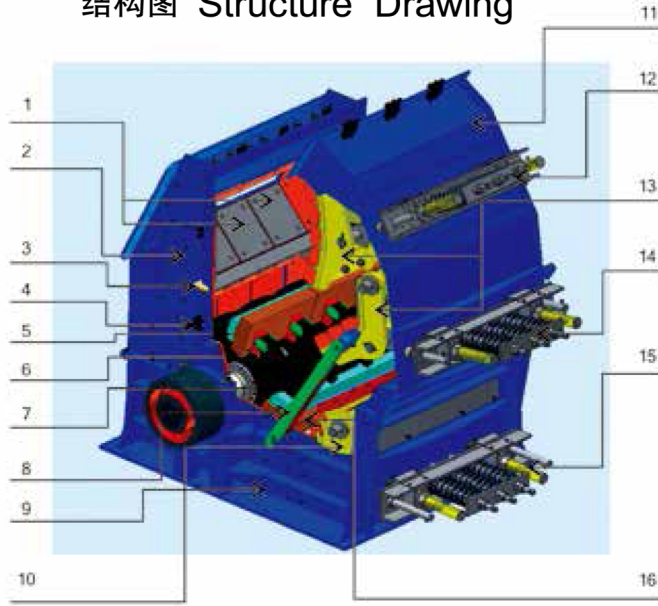
CH系列反击破具体特点如下：

- 1、优质的板材和耐磨件，减少了磨损，提高了各种工况下生产效率，先进的加工设备和工艺，是性能卓越的设备的基础。
- 2、产品通用性强，两腔破碎设备在不更换其他零部件的基础上，增加研磨架(A)，即可变为三腔破碎设备，减少用户二次投资。
- 3、重型转子，进行有限元受力分析，优化设计，结构更加合理，转动惯量更大，获得更大的破碎比，破碎能力、耐磨性更强。
- 4、转子焊接加工后，装配前需做静、动平衡试验，使转子运转更加平稳，使用时间更长。
- 5、主轴采用优质锻件进行精加工，同时全轴无键设计，采用了国际先进的胀套涨紧连接方式，使设备运转更可靠，后期维护更加简便。
- 6、独特的板锤锁紧装置，紧固力矩更大、更安全，板锤更换更加简单、方便、快捷。
- 7、衬板标准化设计，互换性强，减少用户备件种类和库存，且更换更加容易。
- 8、简单实用的锁紧装置，将反击破壳体一与壳体二紧紧的锁在一起。此种装置操作简单，方便，节约锁紧时间。
- 9、独特的液压装置设计，既能方便用户轻松打开机架，更换零部件，又能对反击架排料口调节。
- 10、反击架及研磨架调整结构简单，易操作，不易损坏，同时维修方便，成本低廉。

Features and Benefits for CH Series Impact Crusher:

- 1 High qualified raw material, less wear, high productivity under any circumstances. Top manufacturing process is the basis for extraordinary machine.
- 2 Strong product commonality can reduce cost. Two-cavity impact crusher can become three-cavity machine by adding grinding racks (A), and no need to change other parts.
- 3 Heavy type rotor, finite element endurance analysis, optimized design, reasonable structure and enhancing moment of inertia lead to bigger crushing ratio and better abrasion resistance.
- 4 Static and dynamic balancing test for the welding rotor should be done before assembling. To make sure the rotor have a smooth running and long working life.
- 5 Main shaft is finished by quality forging, adopts keyless design and world advanced cover tightening connection to ensure the reliable working and make the maintenance easier.
- 6 Unique locking device for hammers makes the tightening moment of force more safe and bigger. And the replacement of hammers can be more simple and convenient.
- 7 Standard design for liners increases the interchangeability, decreases the repertory and variety of liners.
- 8 Simple but practical locking device locks the shell 1 and shell 2 together. This device has an easy operation and saves locking time.
- 9 Unique hydraulic device design is convenient for opening the frame racks to replace wear parts and adjust the discharge size.
10. Simple adjustment of impact rack and grinding rack, not easy to damage, convenient maintenance and low cost.

结构图 Structure Drawing



(结构图标注)

1. 机架衬板 Rack Liner
2. 上壳体二 Upper Shell 2
3. 导向板 Guide Plate
4. 锁紧装置 Locking Device
5. 板锤 Blow Bar
6. 板锤锁紧装置 Blow Bar Lock Device
7. 转子部件 Rotor Parts
8. 撑板 Brace Plate
9. 下壳体 Below Shell
10. 研磨架 Grinding Rack
11. 上壳体一 Upper Shell 1
12. 调整装置1 Adjusting Device 1
13. 第一、二反击架 1stand 2nd Impact Rack
14. 调整装置一 Adjusting Device 1
15. 调整装置二 Adjusting Device 2
16. 启盖缸 Opening Cylinder

CHP技术参数 CHP Technical Data

型号 Model	最大进料边长 Max Feed Edge(mm)	通过量 Capacity(t/h)	电机功率 Motor Power(kw)	重量 (不含电机) Weight (Excluding Motor)(t)	
				带研磨腔 with grinding cavity	不带研磨腔 without grinding cavity
CHP4939(A)	500	90-160	110-132	14.696	13.596
CHP4955(A)	500	100-260	132-200	17.43	16.12
CHP5159(A)	600	180-300	200-250	25.64	24.2
CHP5559(A)	650	220-450	250-315	27.046	25.438
CHP5979(A)	700	250-550	400-440	36.45	34.3
CHP6379(A)	800	300-600	440-560	45.3	42.3
CHP7179(A)	1000	500-850	630	84.1	78.9
CHP7998(A)	1200	800-1200	1250	111.5	101.2

CHS技术参数 CHS Technical Data

型号 Model	最大进料边长 Max Feed Edge(mm)	通过量 Capacity(t/h)	电机功率 Motor Power(kw)	重量 (不含电机) Weight (Excluding Motor)(t)	
				带研磨腔 with grinding cavity	不带研磨腔 without grinding cavity
CHS4528(A)	250	40-70	37-55	11.8	10.98
CHS4539(A)	300	70-100	55-75	14.4	13.47
CHS4939(A)	350	100-180	110-132	14.696	13.596
CHS4955(A)	350	150-290	132-200	17.43	16.12
CHS5159(A)	400	180-350	200-250	25.64	24.2
CHS5559(A)	450	250-450	250-315	27.046	25.438
CHS5979(A)	500	280-550	400-440	36.7	34.6
CHS6379(A)	600	300-600	440-560	45.7	43.5
CHS7179(A)	700	500-850	630	84.1	78.9
CHS7998(A)	1000	700-1100	1250	115.6	109.5

注：上述生产能力是在破碎中硬及以下物料且堆积密度为 $1.6 \times 10^3 \text{kg/m}^3$ 时开路循环生产中的总吨数。生产能力与破碎物料的物理性能、给料方式、进料粒度及其组成有关。

Note: The capacity is total tons per hour passing through crusher at open circuit when crushing medium and below hardness material and bulk density with $1.6 \times 10^3 \text{kg/m}^3$. Capacities are relative to physical character and type of feeding, feeding size and composition and so on.



总公司：山德技术（北京）有限公司
SHANDE TECHNOLOGY (BEIJING) CO., LTD.

郑州一帆机械设备有限公司
地址：中国郑州市荥阳开发区郑源路
邮编：450100
电话：0371-6462 7000 6462 6911
传真：0371-6460 6468
免费咨询电话：400-665-6688
网址：www.yfmac.com
E-mail: yifan@yfmac.com

ZHENGZHOU YIFAN MACHINERY CO., LTD.
Add:Zhengyuan Rd,Xingyang,Zhengzhou Henan 450100,China
Tel:+86 371 64628852
Fax:+86 371 64628872
Website: www.yfcrusher.com
E-mail: sales@yfmac.com

我们的产品在不断更新和改进中，一帆保留在未事先告知的情况下，更改参数及设计的权利。

Our products are constantly updated and improved. YIFAN reserves the right to modify parameters and design without notice.

照片中产品外观颜色与实际机型存在差异，颜色标准以实物为准。

In the photo products' color and appearance might have differences from the actual models, the color need to be subject to the real object.

本手册中的配置不一定是出厂标准配置，购买时请详细咨询我们。

The configuration in this manual are not necessarily the Ex-factory standard, please consult with us before purchasing.